

Box Sizes

As of July 2019

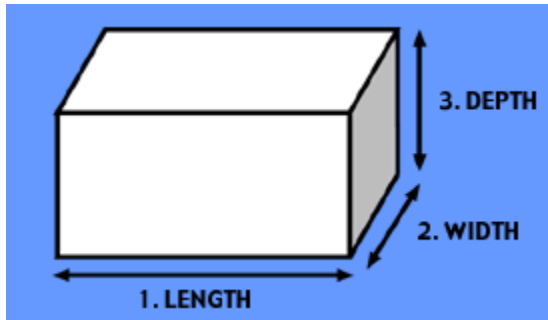
Box Sizes

<u>Box Size</u>	<u>Outside Dimensions</u>			<u>Item Quantity per Box</u>	
	<u>Length</u>	<u>Width</u>	<u>Depth</u>	<u>3.5 Gallon Containers</u>	OR <u>1.6 Gallon Containers</u>
X-Small	18.75"	9.5"	6.875"	1	2
Small	18.50"	9.75"	13.75"	2	4
Medium	18.50"	18.50"	13.75"	4	8
M-Large	18.50"	18.5"	19.25"	6	12
Large	18.50"	18.25"	25.75"	8	16
Extra Large	18.50"	18.25"	30.75"	10	20

Contact Information for Our Box Vendor

- Company Name: Miller Container
- Contact Name: Jennifer Kroll
- Contact Phone: 309-756-5417
- Main Phone: 309-787-6161
- Website: <http://millercontainer.com/index.html>

How They Measure a Box



For more information, go to <http://www.watermanswebworld.com/code/measure.html>